



May 8, 2020

Enclosed is the Bid Document for the Roza Irrigation District for the 2020-2021 project year (**for materials only**). Please be sure to read all specifications thoroughly. Pay special attention to the butterfly valve specifications. We will only accept buried butterfly valves with traveling nut operators.

Please refer all questions in reference to the bid document to Wayne Sonnichsen or Diana Frey at the Roza Irrigation District at (509) 837-5141.

Bids are due no later than 10:00 A.M., June 4, 2020 at the Roza Irrigation District office. All Bid documents must be intact at the time of submission and the proposals signed.

Faxed bids will **NOT** be accepted.

Sincerely,

A handwritten signature in cursive script that reads "Wayne Sonnichsen".

Wayne Sonnichsen
Engineering Manager

Roza Irrigation District
125 S. 13th Street Blaine Avenue
P. O. Box 810
Sunnyside, WA 98944
(509) 837-5141

Bidder's Checklist

The bidder's attention is especially called to the following forms, which must be executed in full as required:

- (a) **Proposal** - The unit prices bid and section total must be shown in the spaces provided for each section's bid. Prices are to be rounded off to two decimal places. Bids will be awarded per section by total section price. The total section price is the section price plus tax.
- (b) **Proposal Signature Sheet** – To be filled in and signed by the bidder.
- (c) **Bid Bond** – A bid bond in a form acceptable to the District and executed by the bidder and the surety company must be filed with the bid unless the bid is accompanied by a cashier check. The amount of this bond shall not be less than 5% of the total amount bid and may be shown in dollars or on a percentage basis.

The following forms are to be executed after the bid is awarded in the following order:

1. Notice of Award.
2. Contract – The agreement shall be executed by the successful bidder.
3. Notice to Proceed.

Roza Irrigation District
125 S. 13th Street Blaine Avenue
P. O. Box 810
Sunnyside, WA 98944
(509) 837-5141

Proposal

To: Roza Irrigation District
125 S. 13th Street Blaine Avenue
P. O. Box 810
Sunnyside, WA 98944
(509) 837-5141

The undersigned hereby certif_____ that _____ ha____ personally read and thoroughly understand the specifications and contract governing the furnishing of materials and the method by which payment will be made for said work hereby propose___ to undertake to supply the materials embraced in this improvement in accordance with said specifications and contract documents, and at the attached schedule of rates and prices.

Note:

1. If the bidder is a co-partnership, so state, giving firm name under which the business is transacted.
2. If the bidder is a corporation, its duly authorized officials must execute this proposal.

(Bidder)

By : _____
(Authorized Officer)

(Address)

Roza Irrigation District

125 S. 13th Street Blaine Avenue
P.O. Box 810
Sunnyside, WA 98944
(509) 837-5141

NOTICE OF AWARD

TO: _____

FROM: Roza Irrigation District
125 S. 13th Street Blaine Avenue
P.O. Box 810
Sunnyside, WA 98944
(509) 837-5141

RE: ECS **Section(s)**:

DATE:

This Notice is to advise you that the Roza Irrigation District has accepted your bid for the above Described Section(s).

In accordance with the bid documents you have **(10)** working days from the date of this Notice of Award to complete all of the preconditions provided for in the bid documents, including the execution of the contract.

This is not a Notice to Proceed with the performance of the work under the contract. When you have complied with the requirements set forth in the contract documents a Notice to Proceed will be issued to you.

You are required to return an acknowledged copy of this Notice of Award to the Roza Irrigation District.

Roza Irrigation District

By: _____

Title: **Manager** _____

Receipt of Notice of Award is hereby acknowledged

Date: _____

By: _____

Roza Irrigation District
125 S. 13th Street Blaine Avenue
P. O. Box 810
Sunnyside, WA 98944
(509) 837-5141

PURCHASE AGREEMENT
(Goods and Materials)

ROZA IRRIGATION DISTRICT, hereafter referred to as the "District", agrees to purchase from _____, _____ hereafter referred to as "Supplier", the goods and materials, hereafter "goods", set forth on the attached bid section(s) within Schedule A, subject to the terms and conditions of this agreement below:

1. The goods to be delivered by the Supplier shall conform to the specifications contained in the District's Request for Proposals, which is made part of this agreement.
2. Part 1 contains the unit prices for goods to be provided to the District under this agreement, if applicable.
3. At the Supplier's expense, the Supplier shall deliver the goods to the addresses and on the dates specified in the Notice to Proceed (Attachment B). **No nesting of pipe shall be allowed. Goods are to be delivered by September 30, 2020, between 8:00 a.m. and 2:30 p.m., Monday through Friday (excluding holidays). A 24-hour notice shall be required prior to delivery of goods. If it is determined that the goods cannot be delivered by the above date, they must be delivered by a date mutually agreed to in writing by the District and the Supplier.**
4. After acceptance of delivery of goods by the District, the Supplier shall provide the District with an invoice setting forth the quantity of goods delivered to the District, the unit prices and the total price. The District will confirm the quantities delivered and pay the invoice within 30 thirty days of the delivery. The acceptance of delivery by the District shall not be deemed to be a final acceptance of the goods for any purpose, including defective or non-conforming goods.
5. Upon delivery of the goods and acceptance of delivery by the District, title to the goods shall pass to the District free and clear of any liens or encumbrances. Upon completion of delivery of goods and MSDS sheets, Roza agrees to pay the Supplier the total contract price in the amount of \$ _____ including sales tax.
6. The Supplier warrants that the goods conform to specifications issued by the District and are fit for the uses or purposes disclosed by the District. The Supplier further warrants that the goods are free from defects, either obvious or latent.
7. In the event any of the goods fail to comply with the specifications or the warranties of the Supplier, at its option, the District may require the Supplier to replace the defective or non-conforming goods with conforming goods or the District may purchase goods to replace the defective or non-conforming goods. In the event the District purchases replacement goods, the supplier shall refund any money paid to it by the District on the account of the defective or non-conforming goods, and in the event the replacement goods are more costly than the goods provided by the Supplier, the Supplier shall reimburse the District for the excess cost of purchasing the replacement goods.

8. The Supplier shall be responsible for any damages resulting to the District from any non-conforming or defective goods, including any consequential damages, and the Supplier shall defend and indemnify the district from any claims, damages, litigation, expenses or costs, including fees which the District may incur as a result of the defective or non-conforming goods.
9. This agreement and the attachments hereto as well as the Requests for Proposals, constitute the entire agreement between the parties. Any amendments to this agreement shall be in writing and signed by both parties. This agreement may not be modified by language contained in the Supplier's invoice, documents of delivery, or title documents.
10. The Supplier may deal with the following named District employee with regard to the performance under this agreement or other employees who may be designated in writing by the District.

District Contact: **Wayne Sonnichsen**

11. In the event either party must bring an action to enforce any of the items or conditions of this agreement, the prevailing party shall be entitled to recovery of all costs of such action, including reasonable attorney fees. For the purposes of this section the term "action" shall include an arbitration hearing.
12. This agreement shall be interpreted and enforced in accordance with the laws of the State of Washington.

DATED this _____ day of _____, 2020.

ROZA IRRIGATION DISTRICT

SUPPLIER

By: _____

Title: _____

Title: _____

Roza Irrigation District
125 S. 13th Street Blaine Avenue
P. O. Box 810
Sunnyside, WA 98944
(509) 837-5141

NOTICE TO PROCEED
(Attachment B)

TO: _____

FROM: **Roza Irrigation District**
125 S. 13th Street Blaine Avenue
P. O. Box 810
Sunnyside, WA 98944
(509) 837-5141

RE: **ECS Section(s):** _____

DATE: _____

In accordance with the contract, which you entered into with the Roza Irrigation District for the above-described Section (s), this is your **Notice to Proceed** with your work in accordance with the contract documents. As provided in the contract documents you have ____ working days from the date of this Notice to Proceed in which to complete your work under this contract.

Sections **1, 2 & 3** will be delivered to Roza Irrigation Pipe Pile North of Sunnyside, WA, at the Roza Irrigation District WW5 Re-reg site on Erickson Road, approximately 7.4 miles north from Exit 69 for State Highway 241 off of I-82. Directions are available at the Roza Irrigation District main office. Sections **4 & 5** will be delivered to the Sunnyside yard at 125 S. 13th Street, Sunnyside, WA 98944

Roza Irrigation District

By: _____

Title: **District Manager**

Material Specifications PVC Pipe and Fittings

Scope – This specification covers the following quality of Bid Proposal Items: PIP PVC PIPE, IPS PVC PIPE, PVC TEES, PVC REDUCERS, PVC BUSH REDUCER, PVC ANGLES, PVC FLANGES, and PVC ADAPTORS.

1. 12" and smaller PVC pipe and fittings shall be IPS.
2. 15" to 27" PVC pipe and fittings shall be PIP.
3. 30" and larger PVC pipe and fitting shall be C905
4. Pipe and Fittings – PVC pipe and fittings shall conform to or exceed the requirements of the specifications listed below:
 - PIP, IPS, C905 – (PVC 1120), No "Burnt Pipe" shall be accepted.
 - Standards for Materials and Product Design – SCS 430 DD, ASTM D-2241, ASTM 1745, ASTM D-1784, ASTM D-1785, ASTM D-2672, ANSI/ASAE S-376.1, Cell Class 12454-A or B.
 - Gasket Joint – ASTM D-3139
 - Gasket ASTM F477; **Rieber Gaskets shall be required on all gasket fittings and pipe.**
 - Gasket Material – SBR, IR, EPDM
 - Cell Class 1254-A or B
 - Sun burned or painted pipe will not be accepted.
 - Consideration of acceptance will be given for pipe slightly discolored by sunlight by the District Engineer.
 - Acceptance is not guaranteed and must be in writing prior to delivery.
5. All pipe to be bid as rubber gasket **except the 2", 3", and 5"**, which shall be bid as solvent weld.
6. All tees that have Portion 1 (Diameter = 15", 18", 21", 24", 27", 30", 36" and 42") and Portion 2 (Diameter = 6", 8", 10", or 12"), **shall have Portion 1 rated at 125 PSI and Portion 2 rated at 160 PSI** (see Appendix 1). All tees that have Portion 1 (Diameter = 15", 18", 21", 24", 27", 30", 36", and 42") and Portion 2 (Diameter = 15", 18", 21", and 24"), **shall have Portion 1 rated at 125 PSI and Portion 2 rated at 125 PSI** (see Appendix 1).
7. **All fittings 6" and larger shall have Rieber gaskets, (unless otherwise noted in Specification column within Bid Proposal Sections).** Angles may **NOT** have glued in extensions. Fittings 4" and smaller shall be bid as solvent weld (SLIP).
8. **Except for items specified in # 5 above**, all fittings 8" and smaller to be bid as Schedule 80 (ASTM D-2467), 10" and 12" to be bid as 200 PSI, and 15" and larger to be bid as 125 PSI. Any fitting that can be molded, instead of spliced together, shall be preferred. All fittings shall be delivered as a complete unit.
9. **PVC ANGLES:** All 8" and smaller angles shall be molded angles (see Appendix 1). Angles may **NOT** have glued in extensions.
10. **PVC REDUCERS** shall transition gradually and be of the cone style. **See Specification column within Bid Proposal Sections for joint type.**
11. **PVC BUSHING REDUCERS** 10" and smaller shall be the molded bushing type with an internal taper (Male x Female), (see Appendix 1, this will be the only type accepted).
12. **PVC FLANGES** shall have free moving collars (VAN Stone Type – Female, see Appendix 1).

13. PVC ADAPTORS 12" and smaller, shall be Gasket (IPS) x Slip (IPS) (Female x Female), see Appendix 1, except the 2" which is (FS x FT).

14. PVC ADAPTORS 15" and larger, shall be Gasket (IPS) x Slip (PIP) (Female x Female), see Appendix 1.

Material Specifications Valves and Vents

Scope – This specification covers the quality of the following Bid Proposal Items: AIR VENTS, AIR RELEASES, PRESSURE RELIEFS, BUTTERFLY VALVES, GATE VALVES, AND CANAL GATES.

1. **AIR VENTS** shall have a ball valve with seat in cast aluminum body with female National Standard pipe thread inlet. Air vents 1.5" and smaller shall be rated for use to 150 psig. Air vents larger than 2" shall be rated to 100 psig.
2. **AIR RELEASE #1** valves shall be lever types for continuous air release under line pressures up to **175 psig**. The air release valves shall be a **1"** inlet and **5/16"** orifice, as manufactured by Val-Matic model number 15A.3 or better, and shall not weigh more than 6 lbs. (all metal).
3. **PRESSURE RELIEF** valves shall be of the external spring type in galvanized steel housing and shall have a factory preset cracking pressure of 65 psi, 90 psi, or 120 psi as specified in Section 5 of bid document. Cracking pressure permanently scribed on valve. A pin or jam nut to prevent tampering will lock the pressure adjustment preset at factory. Threads shall be National Standard pipe threads (all metal).
4. **BUTTERFLY VALVES:**
 - Resilient Seat – 150 PSIG, Non Shock.
 - Body: Wafer Style cast steel or cast iron with a locating lug (centering eye) for alignment during installation.
 - Disc: Nickel-plated or Electro statically Epoxy coated ductile iron or stainless steel.
 - Seat: EPDM or Buna N.
 - Stem: Two piece or one piece design.
 - Stem bushings: Graphite polymer (self-lubricating) or bronze with fitting for lubrication.
 - Shaft: Stainless steel
 - Butterfly valve shall be worm gear operated completely enclosed gearbox of cast iron, with hardened steel worm and ductile iron worm gear and shall be fully gasketed for outdoor service. Gear operators shall be completely filled with grease.
 - Butterfly valves identified as "**buried**" shall have a valve operator of the traveling nut type, sealed, gasketed and permanently lubricated for underground service. Shall be supplied with 2" square nut on input shaft. Configured for placement in horizontal piping with input shaft vertical. Tuf-Skin brand or better.
 - **Electric Actuators if specified:** Electrical Actuator with hand wheel installed on these valves and position indicator. Electrical actuator 120 VAC RCS brand or better.
5. **GATE VALVES** – Gate valves shall be Pegler Type or better, have a non-rising stem gate with seal, and machined gate and gate seal, screwed bonnet. Working pressure up to 150 psig. Material shall consist of brass, bronze, or stainless steel. Threads shall be National Standard pipe threads (Female).
6. **CANAL GATES**
 - Rising stem slide gate
 - Galvanized steel frames
 - Gates diameter and frame height specified in Section 4 of Bid Proposal
 - Cast iron seals or better, machined or ground
 - Flat back gate opening
 - Adjustable cast iron wedge back
 - Gate diameters 12" and smaller shall be IPS, 15" and larger shall be PIP
 - Fresno Brand Preferred

7. 2" Y Filters

- NPT Female x Female
- Up to 200 psi working Pressure
- Aluminum Body
- 3/4" Flush Port
- Screens to be included with filter 1/16" Mesh
- Rated for up to 80 gpm with no head loss
- Sonntag Brand comparable or better

Material Specifications

Steel Pipe, Flanges and Fittings

Scope – This specification covers the quality of the following Bid Proposal Items: STEEL PIPE, STEEL FLANGES and Steel Fittings.

- 1. Steel pipe** shall be Schedule 40.
 - All 2" shall be galvanized, standard weight, and threaded.
 - All 3" and larger shall be standard strength welded steel pipe, butt-end conforming to ASTM specifications A53 Grade B or A120.

- 2. Steel Flanges** shall be AWWA C207-07 Class D steel-ring flanges.
 - All Flanges shall be Slip Over types.

- 3. Steel Coupler 3" to 12"**
 - Water tight to 200 psi (Romac style 511)
 - Steel or ductile iron with standard enamel paint coating.
 - Center Ring Length 7".
 - Include standard flanges, gaskets, nuts, and bolts.
 - Gasket to be completely covered.
 - 3", 4", and 6" coupler with a 4 bolt pattern, 8" with a 5 bolt pattern, 10" with 6 bolt pattern, 12" with an 8 bolt pattern.
 - IPS x IPS.
 - Shall Meet AWWA C 219

- 4. Long Steel Coupler**
 - Steel couplers in Section 5 of bid specified as Long Steel Couplers are to be the brand name "GHEEN" or better.
 - 18" center ring for all sizes

- 5. Steel Couplers 14" – 36" (Romac style 501)**
 - Center Ring Length for 14"-22" coupler is 7", for 24"-36" coupler is 10"
 - Include standard flanges, gaskets, nuts, and bolts
 - Shall meet AWWA C 219

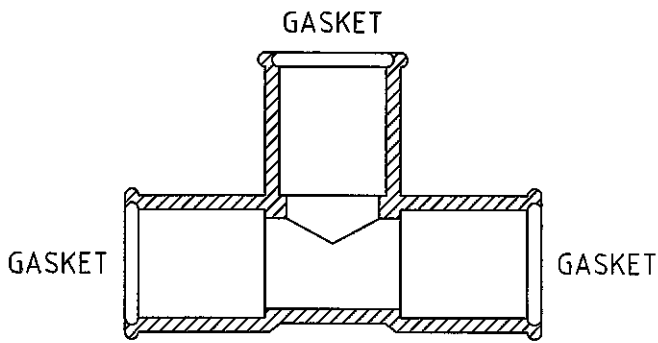
- 6. Merchant Couplers 2"-8"**
 - Couplings with full thread made by seamless pipes
 - Black
 - Full Socket
 - Meets ASTM A865

Material Specifications

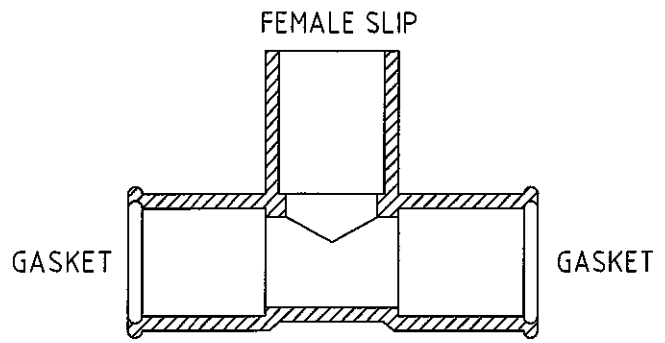
Miscellaneous

1. **GLUE** (PVC Solvent cement) shall be brand name **UNI-WELD 1700, WELD-ON Number 711**, or equal which meets ASTM D-2564.
2. **GLUE** (PVC Solvent cement) shall be **UNI-WELD Super 30 1800 Series, WELD-ON Number 719** or equal which meets ASTM D-2564.
3. **PRIMER** shall be **UNI-WELD 8700 Series, WELD-ON P-70**, or equal which meets ASTM D-2564 and purple in color.
4. **SWABS**, (4") for gallon containers, **IPS Corporation 4020** or equivalent. **No roller type will be accepted**
5. **GALLON CONTAINERS (EMPTY)** **IPS Corporation MT 648** or equivalent.
6. **TRACE WIRE** (locator wire) shall be # 14 AWG, single conductor solid, bare annealed copper, 30-Volt construction, water-resistant insulation, in **2500 ft. coils**. The coating shall be purple in color.
7. **DIRECT BURY SPLICE ENCLOSURES** shall be equivalent to **Spears brand DS-500** or better.

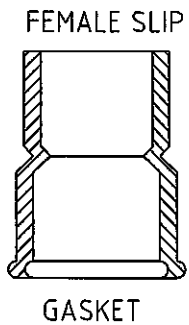
APPENDIX 1



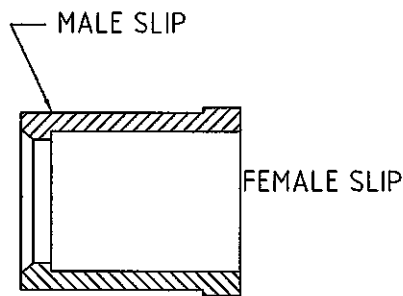
GASKET x GASKET x GASKET



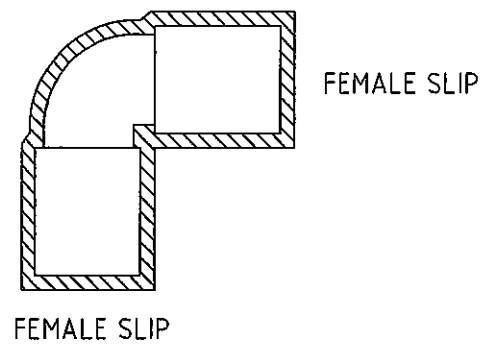
GASKET x GASKET x SLIP



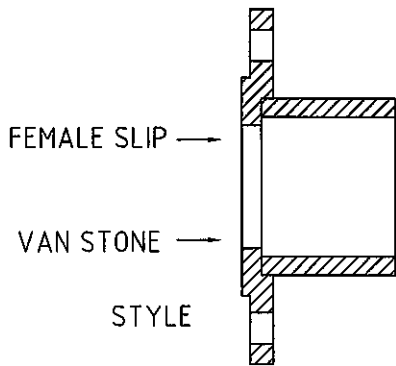
PVC ADAPTER



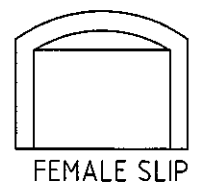
PVC BUSH RED.



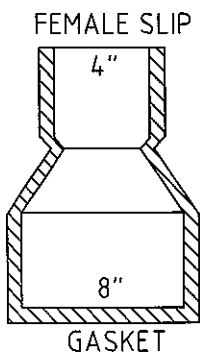
PVC ELBOW



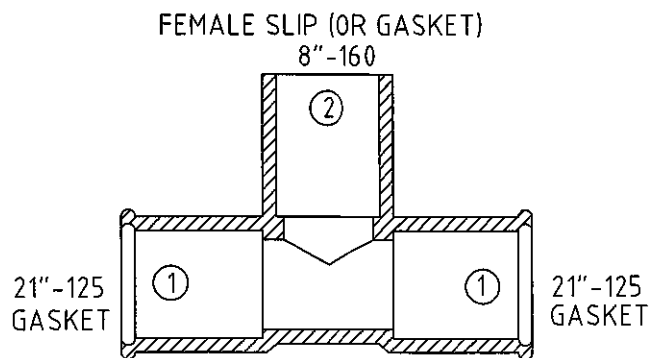
PVC FLANGE



PVC CAP



PVC REDUCER



(SEE SPEC. #6)

Section 1

Bid Proposal

Enclosed Conduit System (PIP PVC Pipe)

Size	Specification	Quantity	Unit	Price	Total Price
<u>PIP PIPE</u>					
15" -80 PSI	GASKET	1660	LF	_____	
18" -80 PSI	GASKET	2660	LF	_____	
24" -80 PSI	GASKET	2640	LF	_____	
27" -80 PSI	GASKET	3840	LF	_____	
36" -80 PSI	GASKET	10240	LF	_____	
Dobbers	4"	50	EA	_____	
Empty Cans	Gallon	10	EA	_____	

Section 2**Bid Proposal****Enclosed Conduit System (PIP PVC Fittings)**

Size	Specification	Quantity	Unit	Price	Total Price
<u>PVC TEE'S</u>					
15" x 15" x 6"	(GxGxS)	5	EA	_____	
15" x 15" x 10"	(GxGxG)	2	EA	_____	
18 "x 18" x 6"	(GxGxS)	1	EA	_____	
24" x 24" x 6"	(GxGxS)	5	EA	_____	
24" x 24" x 12"	(GxGxS)	1	EA	_____	
24" x 24" x 15"	(GxGxG)	1	EA	_____	
27" x 27" x 6"	(GxGxS)	6	EA	_____	
27" x 27" x 12"	(GxGxS)	2	EA	_____	
36" x 36" x 6"	(GxGxS)	9	EA	_____	
36" x 36" x 10"	(GxGxS)	1	EA	_____	
36" x 36" x 12"	(GxGxS)	4	EA	_____	
36" x 36" x 15"	(GxGxG)	1	EA	_____	
<u>PVC ADAPTORS</u>					
15"		1	EA	_____	

Section 2**Bid Proposal****Enclosed Conduit System (PIP PVC Fittings)**

Size	Specification	Quantity	Unit	Price	Total Price
<u>PVC CONE REDUCERS</u>					
15" x 6"	(GxG)	1	EA	_____	
15" x 12"	(GxG)	3	EA	_____	
18" x 10"	(GxG)	1	EA	_____	
24" x 18"	(GxG)	1	EA	_____	
27" x 21"	(GxG)	1	EA	_____	
36" x 27"	(GxG)	1	EA	_____	
<u>PVC ANGLES</u>					
15" - 45	(GxG)	12	EA	_____	
18" - 11	(GxG)	1	EA	_____	
24" - 22	(GxG)	2	EA	_____	
27" - 45	(GxG)	4	EA	_____	
36" - 11	(GxG)	5	EA	_____	
36" - 22	(GxG)	7	EA	_____	
36" - 45	(GxG)	19	EA	_____	
<u>PVC FLANGES</u>					
14" x 15.3"	Flange x Slip	2	EA	_____	
24" x 27"	Flange x Slip	4	EA	_____	
36" x 36"	Flange x Slip	2	EA	_____	

Section 3

Bid Proposal

Enclosed Conduit System (IPS PVC Pipe)

Size	Specification	Quantity	Unit	Price	Total Price
<u>IPS PIPE</u>					
4" -100 PSI	GASKET	1800	LF	_____	
5" -100 PSI	Glue Joint	1800	LF	_____	
6" -100 PSI	GASKET	2460	LF	_____	
8" -100 PSI	GASKET	2600	LF	_____	
8" -100 PSI	Glue Joint	60	LF	_____	
10" -100 PSI	GASKET	1480	LF	_____	
10" -100 PSI	Glue Joint	120	LF	_____	
12" -100 PSI	GASKET	1580	LF	_____	
10" - 125 PSI	GASKET	100	LF	_____	
2" -Schedule 40	Glue Joint	1360	LF	_____	
4" -200 PSI	GASKET	580	LF	_____	

Section 4**Bid Proposal****Enclosed Conduit System (IPS PVC Pipe and Fittings)**

Size	Specification	Quantity	Unit	Price	Total Price
<u>PVC ADAPTORS</u>					
3"	FSxFT	1	EA	_____	_____
4"		2	EA	_____	_____
6"		15	EA	_____	_____
8"		11	EA	_____	_____
10"		2	EA	_____	_____
12"		7	EA	_____	_____
<u>PVC CAPS</u>					
1"	Schedule 40/Slip	44	EA	_____	_____
6"	Slip	44	EA	_____	_____
<u>PVC TEES</u>					
3"x 3"x 2"	(SxSxS)	2	EA	_____	_____
4"x 4"x 2"	(SxSxS)	7	EA	_____	_____
4"x 4"x 4"	(SxSxS)	2	EA	_____	_____
6"x 6"x 4"	(GxGxS)	4	EA	_____	_____
8"x 8"x 4"	(GxGxS)	9	EA	_____	_____
10"x 10"x 3"	(GxGxS)	2	EA	_____	_____
10"x 10"x 4"	(GxGxS)	8	EA	_____	_____
10"x 10"x 6"	(GxGxS)	2	EA	_____	_____
10"x 10"x 8"	(GxGxS)	3	EA	_____	_____
12"x 12"x 6"	(GxGxS)	1	EA	_____	_____
12"x 12"x 8"	(GxGxS)	1	EA	_____	_____

Section 4**Bid Proposal****Enclosed Conduit System (IPS PVC Pipe and Fittings)**

<u>Size</u>	<u>Specification</u>	<u>Quantity</u>	<u>Unit</u>	<u>Price</u>	<u>Total Price</u>
<u>PVC BUSH RDCR</u>					
4"x 2"		21	EA	_____	
6"x 4"		12	EA	_____	
8"x 4"		2	EA	_____	
<u>PVC CONE REDUCERS</u>					
3"x 2"	(SxS)	1	EA	_____	
4"x 2"	(SxS)	1	EA	_____	
4"x 3"	(SxS)	1	EA	_____	
6"x 5"	(GxS)	3	EA	_____	
8"x 6"	(GxS)	3	EA	_____	
10"x 8"	(GxG)	6	EA	_____	
12"x 8"	(GxG)	2	EA	_____	
<u>PVC ANGLES</u>					
2" - 45	(SxS)	8	EA	_____	
2" - 90	(SxS)	58	EA	_____	
3" - 45	(SxS)	2	EA	_____	
4" - 45	(SxS)	8	EA	_____	
4" - 90	(SxS)	52	EA	_____	
6" - 45	(GxG)	11	EA	_____	
8" - 45	(GxG)	16	EA	_____	
10" - 45	(GxG)	20	EA	_____	
12" - 45	(GxG)	7	EA	_____	

Section 4

Bid Proposal

Enclosed Conduit System (IPS PVC Pipe and Fittings)

Size	Specification	Quantity	Unit	Price	Total Price
<u>PVC FLANGES</u>					
3"	Flange x slip	2	EA	_____	_____
4"	Flange x slip	4	EA	_____	_____
6"	Flange x slip	6	EA	_____	_____
8"	Flange x slip	4	EA	_____	_____
10"	Flange x slip	6	EA	_____	_____
<u>PVC COUPLERS</u>					
1"	S x MT	44	EA	_____	_____
2"	FS x FT	26	EA	_____	_____
4"	FS x FT	27	EA	_____	_____
4"	FS x MT	7	EA	_____	_____
<u>MISCELLANEOUS</u>					
GLUE	# 711	10	GAL	_____	_____
GLUE	# 719	10	GAL	_____	_____
PRIMER		5	GAL	_____	_____

Section 5

Bid Proposal

Enclosed Conduit System (FITTINGS, VALVES & VENTS)

Size	Specification	Quantity	Unit	Price	Total Price
<u>AIR VENTS</u>					
2"		122	EA	_____	
4"		25	EA	_____	
<u>AIR RELEASE</u>					
#1	1" Inlet, 5/16" Orifice, 175 psig	84	EA	_____	
<u>PRESSURE RELIEF</u>					
2"	65 # Cracking	36	EA	_____	
2"	90 # Cracking	12	EA	_____	
2"	120 # Cracking	14	EA	_____	

Section 5

Bid Proposal

Enclosed Conduit System (FITTINGS, VALVES & VENTS)

Size	Specification	Quantity	Unit	Price	Total Price
<u>BUTTERFLY VALVES</u>					
3"		1	EA	_____	
3" Buried		1	EA	_____	
4"		10	EA	_____	
4" Buried		2	EA	_____	
6"		42	EA	_____	
6" Buried		3	EA	_____	
8"		16	EA	_____	
8" Buried		2	EA	_____	
10"		4	EA	_____	
10" Buried		3	EA	_____	
12"		12	EA	_____	
12"	Electrical Actuation w/Position Indicator & hand wheel	4	EA	_____	
14" Buried		1	EA	_____	
24" Buried		3	EA	_____	
36" Buried		1	EA	_____	
<u>GATE VALVES</u>					
2"		24	EA	_____	
3"		4	EA	_____	
4"		8	EA	_____	

Section 5

Bid Proposal

Enclosed Conduit System (FITTINGS, VALVES & VENTS)

Size	Specification	Quantity	Unit	Price	Total Price
<u>STEEL PIPE</u>					
2"		84	LF	_____	
3"		21	LF	_____	
4"		21	LF	_____	
6"		168	LF	_____	
8"		105	LF	_____	
10"		84	LF	_____	
12"		84	LF	_____	
<u>STEEL FLANGES</u>					
3"		2	EA	_____	
4"		15	EA	_____	
6"		66	EA	_____	
8"		27	EA	_____	
10"		6	EA	_____	
12"		26	EA	_____	
15"		4	EA	_____	

Section 5

Bid Proposal

Enclosed Conduit System (FITTINGS, VALVES & VENTS)

Size	Specification	Quantity	Unit	Price	Total Price
<u>STEEL COUPLERS</u>					
2"		7	EA	_____	_____
3"		2	EA	_____	_____
4"		2	EA	_____	_____
4"	Merchant	3	EA	_____	_____
6"		15	EA	_____	_____
8"		10	EA	_____	_____
10"		3	EA	_____	_____
12"		7	EA	_____	_____
36x36	OD 36.0" x 36" C905 PVC - Fusion Epoxy w/304 SS B&N	3	EA	_____	_____
<u>LONG COUPLERS</u>					
8" x 18"		1	EA	_____	_____
10" x 18"		3	EA	_____	_____
12" x 18"		3	EA	_____	_____
15" x 18"		1	EA	_____	_____
18" x 18"		1	EA	_____	_____
24" x 18"		1	EA	_____	_____
27" x 18"		1	EA	_____	_____
36" x 18"		2	EA	_____	_____

Section 5

Bid Proposal

Enclosed Conduit System (FITTINGS, VALVES & VENTS)

Size	Specification	Quantity	Unit	Price	Total Price
<u>CANAL GATES</u>					
	Frame Size				
21"	20'	2	EA	_____	
<u>MISCELLANEOUS</u>					
TRACE WIRE		15	COILS	_____	
SPLICE ENCLOSURES	25/Bag	20	BAGS	_____	

Bid Proposal
ENCLOSED CONDUIT SYSTEM

Contact Roza Irrigation District for Bid Form

SECTION

Call 509-837-5141 or

Email your: Company Name
 Contact Name
 Address, City, State, ZIP Code
 Email Address
 Phone Number

08

SECTION

To: dfrey@roza.org

08

SECTION

08

SECTION

08

SECTION

08